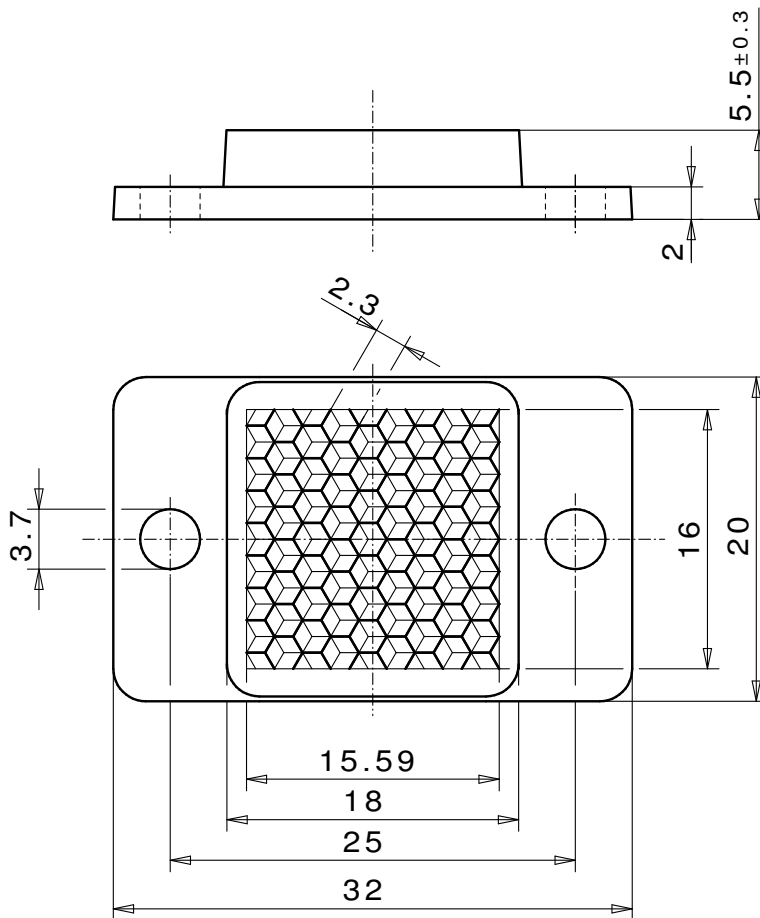


# Reflector for photoelectric sensor

## 18x19 LH ZSB



### REFLECTOR DATA

Application	Reflector for photoelectric sensor
Item	18x19 LH ZSB
Item no.	80052510

### TECHNICAL SPECIFICATIONS

Shape	angular
Size (LxWxH)	32x20x5,5 mm
Reflective size (LxW)	15,6x16 mm
Tolerance	TG5 [DIN 16742]
Mounting	to be screwed
Chemical resistance	Standard
Protection	IP68
Operating temp.	-20°C to +65°C
Surface	Standard
Optical structure	hexagonal
Optic size	Standard triple SW2,3
Polarizing rotation	yes
Application	Standard sensors

### MATERIAL DATA

Material reflector	PMMA clear
Material bracket	PMMA high impact white

### DESCRIPTION

The standard reflectors have highest reflection values and ranges. These reflectors are best suited for applications with standard sensors.