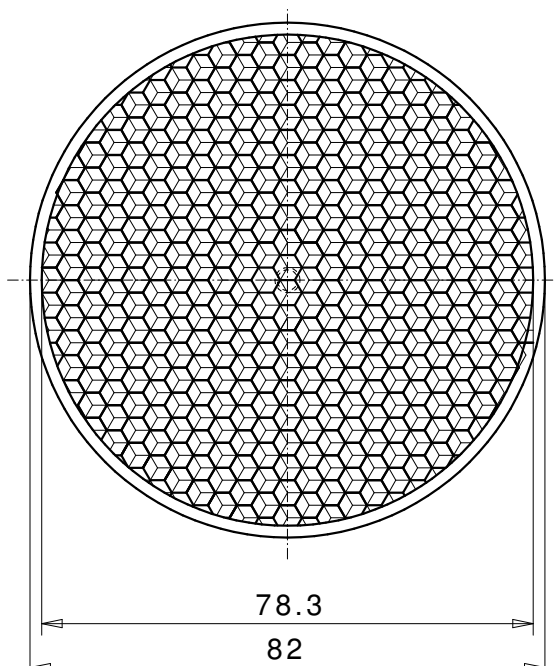
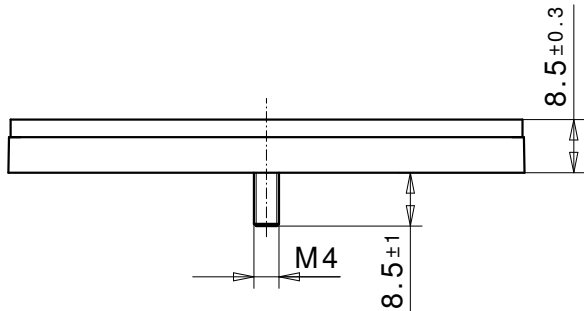


Reflector for photoelectric sensor 82DF SW4 M4 ZSB



REFLECTOR DATA

Application	Reflector for photoelectric sensor
Item	82DF SW4 M4 ZSB
Item no.	01052510

TECHNICAL SPECIFICATIONS

Shape	round
Size(ØxHeight)	82x8,5 mm
Reflective size (Ø)	78,3mm
Tolerance	TG5 [DIN 16742]
Mounting	Threaded bolt M4, 1.4301
Chemical resistance	Standard
Protection	IP65
Operating temp.	-20°C to +65°C
Surface	Standard
Optical structure	hexagonal
Optic size	Standard triple SW4
Polarizing rotation	yes
Application	Standard sensors

MATERIAL DATA

Material reflector	PMMA clear
Material bracket	PMMA high impact white

DESCRIPTION

The standard reflectors have highest reflection values and ranges. These reflectors are best suited for applications with standard sensors.